



## METAL CABLE GLANDS STANDARD TYPE NPT BRASS

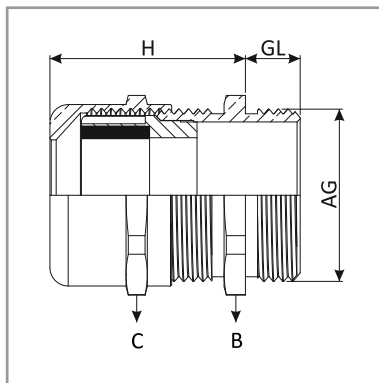
### TECHNICAL DETAILS

#### Material

Cap nut	: Brass with nickel plated
Clamping insert	: Polyamide PA6 V2
Sealing ring	: TPV
Gland body	: Brass with nickel plated
O-ring	: NBR
Connection thread	: NPT ANSI B1.20.1
Certificates	: UR, ROHS, CE
Protection class	: IP68 - 5 bar
Temperature range	: -20 °C +100 °C -40 °C +150 °C (short term)

#### Properties

Easy to assemble  
Long thread versions  
High strain relief



### NPT THREAD CABLE GLANDS

AG Thread	Code	H mm	GL mm	B mm	C mm	mm
1/4"	ONBG 01	22	15	14	14	3 - 6,5
3/8"	ONBG 02/ 01	22	15	18	14	3 - 6,5
3/8"	ONBG 02	23	15	18	17	4 - 8
3/8"	ONBG 02/03	24,5	15	20	20	5 - 10
1/2"	ONBG 03RS	26,5	15	22	22	4 - 10
1/2"	ONBG 03	26,5	15	22	22	6 - 12
1/2"	ONBG 03/05	28	15	24	24	10 - 14
3/4"	ONBG 04	28	15	27	24	10 - 14
3/4"	ONBG 04ES	31,5	15	30	30	9 - 17
3/4"	ONBG 04/06	31,5	15	30	30	13 - 18
1"	ONBG 05RS	31,5	15	34	30	9 - 17
1"	ONBG 05	31,5	15	34	30	13 - 18
1"	ONBG 05/07	38	15	40	40	18 - 25
1 1/4"	ONBG 06	38	18	43	40	18 - 25
1 1/2"	ONBG 07	43	18	50	50	22 - 32
2"	ONBG 08	48	20	65	64	33 - 44
2"	ONBG 09	48	20	70	75	45 - 50
2 1/2"	ONBG 18s	48	20	75	75	45 - 55
2 1/2"	ONBG 18	58	20	90	90	50 - 63
3"	ONBG 19s	58	24	90	90	50 - 63
3"	ONBG 19	61	24	100	100	60 - 70

\* Other sizes on request.